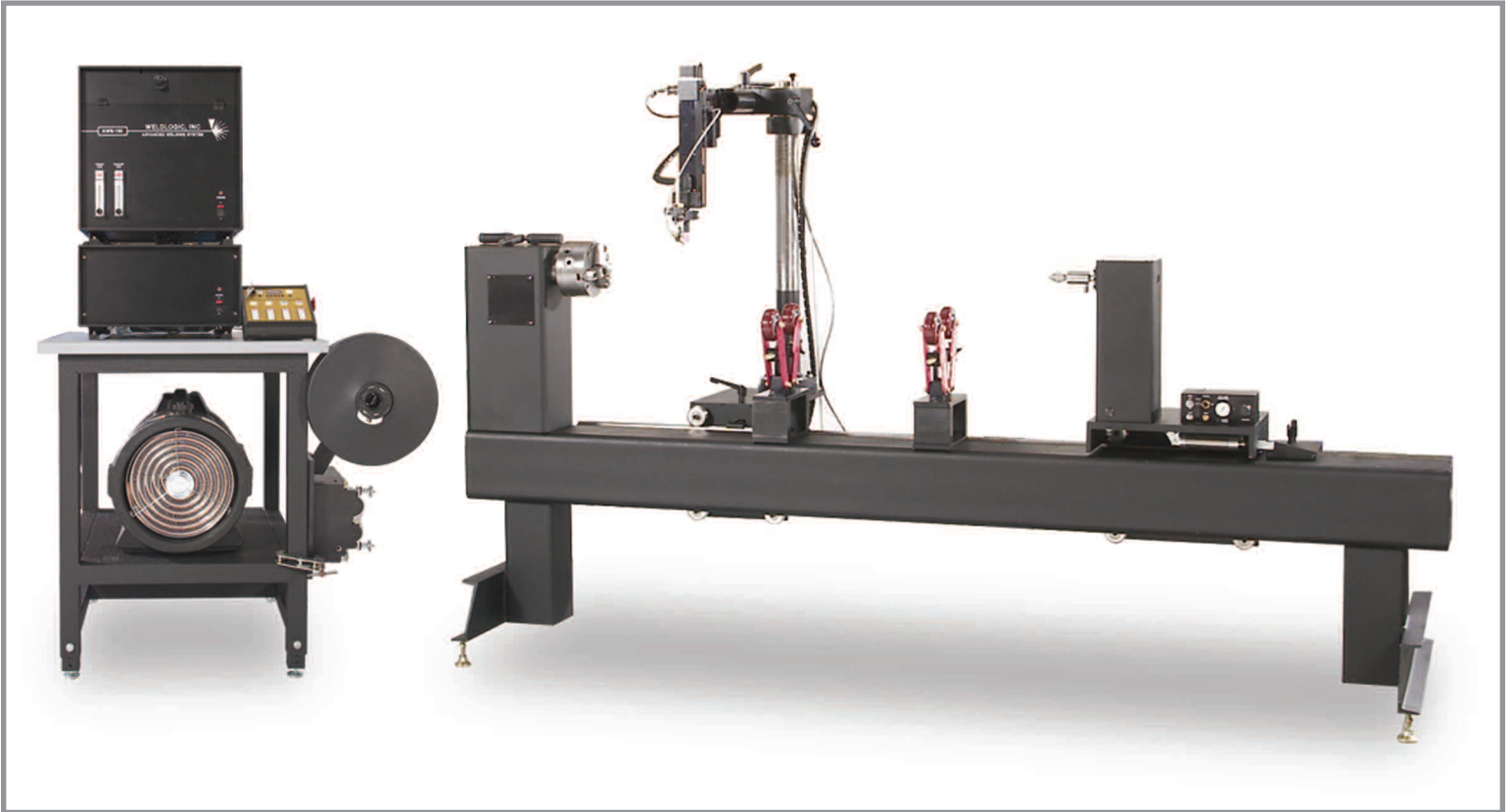


AWS-400 AMPERE COMPUTER CONTROLLED FULL FUNCTION WELDING LATHE



Weldlogic Engineers combine the AWS-400 Ampere Computer Controlled Power Supply with Arc Voltage Control, Wire Feed, Travel Rate and Oscillation to enable the highest Quality Welds integrated to our CWL-30/36 Circumferential Welding Lathe.

The CWL product has many options to tailor this precision positioner to your specific application requirements.

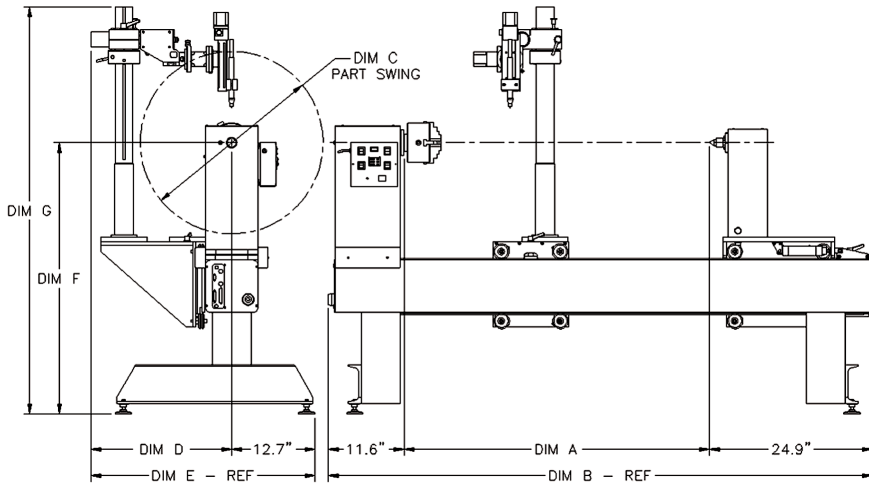
AWS-400 FEATURES

- Windows Based Program
- 400 Amperes Capacity
- Arc Voltage Control
- Multiple Level Programming
- Weld Process Development
- Wire Feed
- Arc Oscillation
- Dual Gas Control with Sensors
- TIG/PLASMA

CWL-30/36 FEATURES

- Heavy-duty Head Stock
- 400 Ampere Ground
- 1000 Lbs Capacity
- All Steel Construction
- Dual Spindle Capacity
- T.I.R. .001"
- Speed Accuracy \pm .5%
- Rigid Torch Arm with Slider

Circumferential Welding Lathe



CWL Standard Features & Specifications:

- Detachable Fixture Control Pendant
- Headstock: Positive Helical Gear Drive with Monolithic rigid all steel frame
- Bed: Rigid - all steel construction. Saddle & Tailstock ride on precision high capacity preloaded Bearing System
- Tailstock: Rigid all steel construction with full range of alignment adjustment(s)
- Independent Tailstock Pusher System - maintains alignment over full range of thrust
- Torch Head swings to rear of tool for clear access when loading & unloading workpiece
- Detented and Locking Torch Tower Head Pivot
- Input voltage: 100/125 200/250 VAC 50/60 Hz 100 VA
- Shop Air: 90 PSI - filtered
- Speed range .01 – 30.00 RPM
- Speed accuracy: + .5%
- T.I.R. .001 in .025 mm
- Weld current capacity: up to 400 Amps
- Spindle through hole: 1.27 in 3.22 cm
- Tailstock stroke 3.00 in 76 mm
- Tailstock force: 500 lbs. 2200 N
- Workpiece weight capacity: 1000 lbs. 440 kg

BASIC MODEL NUMBER	DIM A		DIM B		DIM C		DIM D		DIM E		DIM F		DIM G	
	[in]	[cm]	[in]	[cm]	[in]	[cm]	[in]	[cm]	[in]	[cm]	[in]	[cm]	[in]	[cm]
CWL-30-48	48.0	121.9	84.5	214.6	30.0	76.2	21.5	54.6	34.2	86.9	41.6	105.7	62.5	158.8
CWL-30-72	72.0	182.9	108.5	275.6										
CWL-30-120	120.0	304.8	156.5	397.5										
CWL-30-144	144.0	365.8	180.5	458.5										
CWL-36-48	48.0	121.9	84.5	214.6	36.0	91.4	24.5	62.2	37.2	94.5	44.6	113.3	68.5	174.0
CWL-36-72	72.0	182.9	108.5	275.6										
CWL-36-120	120.0	304.8	158.5	397.5										
CWL-36-144	144.0	365.8	180.5	458.5										

OPTIONS FOR WELDLOGIC'S CIRCUMFERENTIAL WELD LATHE CWL - ($\frac{DIM.}{C}$) - ($\frac{DIM.}{A}$)

Typical options:

Headstock

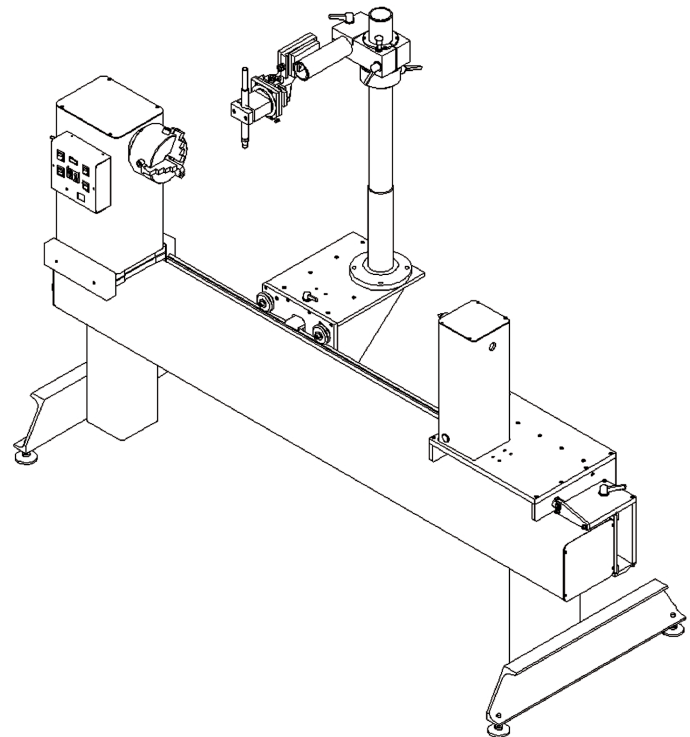
- Rotary spindle ID gas purge
- Up to 2.00" (5.1 cm) Spindle through hole
- Load capacity to 1,000 lbs (454 kg)

Tailstock

- Rotary gas purge
- Up to 2.00" (5.1 cm) spindle through hole
- Thrust loads to 500 lbs (2,227 N)
- Dual Head Stock with Spindle

Torch Tower

- Motorized z-axis
- Motorized torch mount rotary stage



Additional Options:

- Workpiece Steady Rest(s)
- Custom Tooling to hold / locate workpiece
- Computer controlled turn-key systems
- Custom designed positioners

WELDLOGIC, INC.

www.weldlogic.com

Headquarters: Weldlogic, Inc. • 2550 Azurite Cr., Newbury Park, CA 91320 • Tel: 805-498-4004 • Fax: 805-498-1761
 European Office: Weldlogic Europe • Blackstone Road, Huntingdon, Cambridgeshire, PE29 6EF, UK • Tel. 01480 437478 • Fax. 01480 437479